



引领绿色环保锅炉之创新科技
Innovative Technology of Green Boilers



张家港威孚热能股份有限公司

地址：江苏张家港经济开发区南园路5号
电话：0512-58698800 58698700
传真：0512-58698850
网站：www.wilford.cn
邮箱：sales@wilford.cn



Zhangjiagang Wilford Thermal Co.,Ltd.

No.5 Nanyuan Road Economic Development Zone
Zhangjiagang, Jiangsu Province 215618 P.R.China.
Tel: +86-512-56791900
Fax: +86-512-58698850
Http://www.wilfordboiler.com
E-mail: manager@wilfordboiler.com



企业概况

ENTERPRISE OVERVIEW

- 01/ 关于威孚
COMPANY PROFILE
 - 03/ 资质荣誉
QUALIFICATION
 - 05/ 产品型号说明
PRODUCT MODEL SPECIFICATION
 - 06/ 蒸汽锅炉系统安装图
STEAM BOILER SYSTEM INSTALLATION DRAWINGS
-

产品介绍

PRUDUCTS

- 07/ 免检电蒸汽发生器
NATIONAL INSPECTION-FREE ELECTRICAL STEAM GENERATOR
 - 09/ 免检燃油(气)蒸汽发生器
NATIOANL INSPECTION-FREE OIL(GAS)STEAM GENERATOR
 - 11/ 立式燃油(气)蒸汽锅炉
VERTICAL OIL(GAS) FIRED STEAM BOILER
 - 13/ 卧式节能燃油(气)蒸汽锅炉
WNS HORIZONTAL ENERGY SAVING OIL(GAS)FIRED STEAM BOILER
 - 15/ 立式电加热蒸汽锅炉
LDR VERTICAL ELECTRIC HEATING STEAM BOILER
 - 17/ 卧式电加热蒸汽锅炉
WDR HORIZONTAL ELECTRIC HEATING STEAM BOILER
 - 19/ 定制锅炉系列
SPECIAL CUSTOMIZED BOILER SERIES
 - 20/ 热水锅炉系统安装图
HOT WATER BOILER SYSTEM INSTALLATION DRAWINGS
 - 21/ 电加热承压热水锅炉
ELECTRIC HEATING PRESSURE HOT WATER BOILER
 - 23/ 电加热热水锅炉
ELECTRIC HEATING HOT WATER BOILER
 - 25/ 承压燃油(气)热水锅炉
OIL (GAS) HOT WATER BOILER WITH PRESSURE
 - 27/ 燃油(气)热水锅炉
OIL(GAS)HOT WATER BOILER
 - 29/ 燃煤/生物质锅炉
COAL-FIRED/BIO MASS BOILER
 - 31/ 燃油(气)导热油炉
OIL(GAS)-FUEL ORGANIC HEAT-CARRIER BOILER
 - 33/ 燃油(气)真空热水锅炉
OIL(GAS) VACUUM HOT WATER BOILER
-

- 35/ **客户案例**
CUSTOMER CASE
-

[关于威孚]

Company Profile



张家港威孚热能股份有限公司成立于1998年，拥有中国、ASME、CE的制造许可资质，从事中小型蒸汽锅炉、热水锅炉、导热油炉、压力容器的设计、生产、销售、服务已有二十年的历史，在锅炉的清洁能源、节能高效技术的研究上取得了重大的突破，获得了多个发明专利授权，取得高新技术企业的称号。

公司产品已成为食品、服装、医疗、制药、化工、建材加工行业的基础配套工业产品，建立无数个高效率、低能耗的热能供应站，为众多厂家提供安全、稳定、高品质的热源动力，产品行销中国、欧洲、北美、非洲、东南亚等五十多个国家和地区，深受用户信赖。

Zhangjiagang Wilford thermal Co.ltd was established in 1998. With ASME/CE certificate, Wilford is a leading manufacturer specialized in steam boilers, hot water boilers, thermal oil heaters, pressure vessels' design/manufacturing/sale/service for nearly two decades.

Wilford has already been basic supporting industrial products for food/garment/medicine/Pharmacy/chemical industry /building materials. Wilford built many high efficiency low energy saving heating power station and supply safe /stable/high quality heating power for many factories already. The products are mainly exported to more than 50 countries and deeply trusted by users.

适用范围

Application

食品、医药、供暖、学校、
服装、化工.....
Food/Medicine/Heating/
School/Textile/Chemical Industry.....

全面服务

Service

售前——售中——售后服务全过程
7×24小时全天候不间断服务
专业服务工程师团队随时待命
Pre-sale, sale, after sales service process
7*24 hour uninterrupted service
Professional engineer service team is always ready



[资质荣誉]

QUALIFICATION

品质如金，专业见证

以质量赢得市场，以诚信赢得尊重。威孚热能具备了B级特种设备制造许可证，美国机械工程师协会ASME“U”“S”ISO9001质量体系认证、苏州名牌产品、辐射安全许可证等资质，同时取得了多项专利技术的授权，并保持专利项目及高新产品数量的逐年增长，坚持以科技研究为企业发展的核心。

Quality & Profession

Wilford occupies market by good quality and gets respect by good faith. Wilford Thermal has B class special equipment manufacturing license, the certification of ISO9001 quality system, the Famous brand product of SuZhou, the certification of safety radiancy license. Meanwhile Wilford gets authorization of patent rights of high-tech products and keeps increasing. Wilford Thermal insists on R&D as company development's core.



免检电蒸汽发生器

National Inspection-free Electrical Steam Generator

[产品介绍]

Product Description

免检说明 National Inspection-free Instructions

该产品按照《小型和常压热水锅炉安全监察规定》和JB/T7985《小型和常压热水锅炉技术条件》以及JB/T10393《电加热锅炉技术条件》设计开发的小型蒸汽锅炉，按《特种设备安全监察条例》第九十九条及TSG G0001《锅炉安全技术监察规程》对锅炉的定义，本锅炉容积小于其规定的30L容积的要求，不属于《锅炉压力容器制造监督管理办法》规定的产品安全性能强制监督检验的范畴，所以可免去地方监督检验。

- ◆小型电加热蒸汽锅炉结构紧凑体积小，机内设自动补水泵，并设全自动水位控制、压力控制，可连续不间断工作；
- ◆锅炉水容积小于30升，免除了繁杂的报批年审手续；
- ◆蒸汽输出阀门既可直接与硬管相连又可以与耐高温蒸汽胶管连接，灵活机动，有效地节约了使用空间；
- ◆整机占地面积小，移动、安装、使用都十分方便。

Above steam boilers are designed and developed according to "Provisions on the safety supervision of small and atmospheric hot water boilers " and JB/T7985 " Technical conditions of small and normal pressure hot water boilers " as well as JB/T10393 " Technical conditions of electric heating boiler". According to article 99 of "Regulations on safety supervision of special equipment" and TSG G0001 "Boiler safety technology supervision regulation", above steam boilers capacity less than 30L, which product safety performanc not belong to category of mandatory supervision and inspection --"Measures for the supervision and administration of boiler pressure vessel manufacturing" and no need local supervision and inspection.

- ◆ Small electric steam boilers with compact size, automatic water feeding pumps inside, fully automatic water level and pressure control, could continuous work.
- ◆ Boiler water capacity less than 30 liters, avoid complicated approval procedures of annual evaluation.
- ◆ Steam output valves could connect both hard tubes and high temperature resistant steam hose, flexible, make full usage of space.
- ◆ Smart size ,easily move, installation and usage.

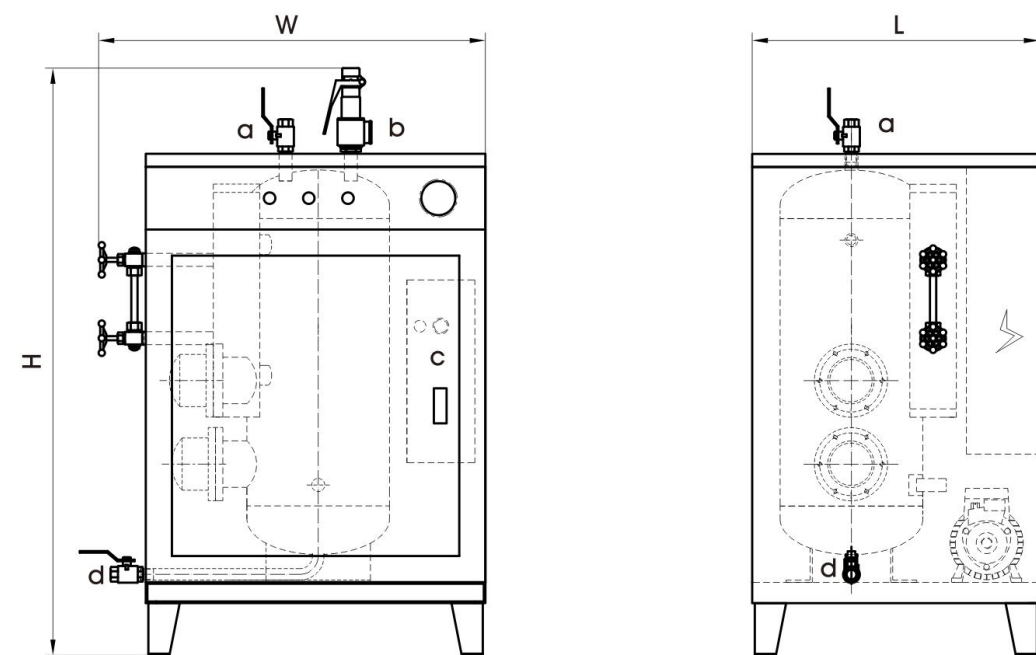


技术参数 Specifications

型号 Model		LDR	LDR	LDR	LDR	LDR	LDR	LDR	LDR	LDR
项目 Project	单位 Unit	0.012-0.7	0.016-0.7	0.025-0.7	0.035-0.7	0.05-0.7	0.06-0.7	0.08-0.7	0.1-0.7	0.125-0.7
额定蒸发量 Rated evaporation	Kg/h	12	16	25	35	50	60	80	100	125
额定工作压力 Rated working pressure	MPa	0.7	0.7	0.7	0.7	0.7	0.7	0.7	0.7	0.7
饱和蒸汽温度 Saturated steam temperature	°C	170	170	170	170	170	170	170	170	170
输入功率 Input power	KW	9	12	18	24	36	40	54	72	90
输入电流 Input current	A	14	18	27	36	54	60	81	108	135
额定电压 Rated voltage	V	3N AC 50Hz 380V								
a主汽阀口径 Main steam valve diameter	DN	15	15	15	15	15	15	15	25	25
b安全阀口径 Safety valve diameter	DN	15	15	15	15	15	15	15	25	25
c进水口径 Water inlet diameter	DN	15	15	15	15	15	15	15	15	15
d排污阀口径 Blowoff valve diameter	DN	150	15	15	15	15	15	15	20	20
外形尺寸 Overall size	L	mm	600	600	680	680	750	750	750	750
	W	mm	540	540	600	600	600	680	680	660
	H	mm	800	800	950	950	1200	1200	1200	1450
重量 Weight	kg	86	95	105	115	130	150	160	180	195

本公司可根据客户订货需求，定制各种供电电源规格产品，适配于世界各国电源。
Wilford could provide customized products with specific power supply in the world.

产品尺寸图 Product Size



免检燃油(气)蒸汽发生器

National Inspection-free Oil (gas) Steam Generator

[产品介绍]
Product Description

免检说明 National Inspection-free Instructions

该产品按照《小型和常压热水锅炉安全监察规定》和参照TSG G0001《锅炉安全技术监察规程》和TSG G0002《锅炉节能技术监督管理规程》以及JB/T10094《工业锅炉通用技术条件》设计开发的小型蒸汽锅炉，额定蒸汽压力0.7MPa，设计正常水位水容积29L。按《特种设备安全监察条例》第九十九条对锅炉的定义，本锅炉容积小于其规定的30L容积的要求，不属于《锅炉压力容器制造监督管理办法》规定的产品安全性能强制监督检验的范畴，所以可免去地方监督检验。

The steam generator is designed and developed based "Provisions on the safety supervision of small and atmospheric hot water boilers" and TSG G0001 "Boiler safety technology supervision regulation" as well as JB/T 10094 "General technical requirements for industrial boilers". The rated steam pressure is 0.7Mpa, designed normal water level capacity is 29L. According to article 99--definition of the boiler--"special equipment Safety Supervision Regulations", that this type boiler capacity less than 30L, and not belong to category of mandatory supervision and inspection--"Measures for the supervision and administration of boiler pressure vessel manufacturing" and no need local supervision and inspection.



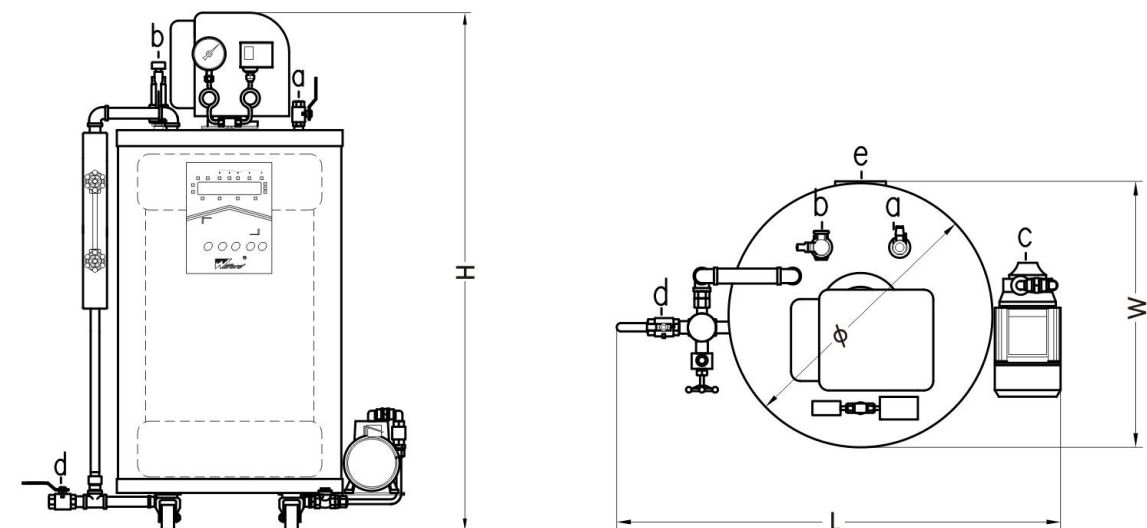
一体式撬块设计，集中供汽，可实现单台独立控制或集中统一控制，免安装设计。
Fully skid-mounted, centralized steam supply, could realize single independent or multiple units centralized control, exempted of installation and design.

技术参数 Specifications

型号 Model		LSS0.05 -0.7-Y.Q	LSS0.1 -0.7-Y.Q	LSS0.125 -0.7-Y.Q	
项目 Project	单位 Unit				
额定蒸发量 Rated evaporation	Kg/h	50	100	125	
额定工作压力 Rated working pressure	MPa	0.7	0.7	0.7	
饱和蒸气温度 Saturated steam temperature	°C	170	170	170	
燃料耗量 Fuel consumption	轻柴油 Light diesel oil	Kg/h	3.5	6.8	8.5
	天然气 Natural gas	Nm ³ /h	3.5	7	8.75
	液化气 LPG	Nm ³ /h	1.5	3	3.8
	城市煤气 City gas	Nm ³ /h	8.5	18	22.5
水容积 Water capacity	L	29	49.3	49.6	
a主汽阀口径 Main steam valve diameter	DN	15	25	25	
b安全阀口径 Safety valve diameter	DN	20	20	20	
c进水口径 Water inlet diameter	DN	15	15	15	
d排污阀口径 Blowoff valve diameter	DN	20	20	20	
e烟囱口径 Chimney diameter	DN	80	125	125	
外形尺寸 Overall size	L	mm	820	880	900
	W	mm	890	1100	1150
	H	mm	1600	1800	1900
	φ直径 Diameter	mm	600	650	650
重量 Weight	kg	180	220	240	

本公司可根据客户订货需求，定制各种供电电源规格产品，适配于世界各国电源。
Wilford could provide customized products with specific power supply in the world.

产品尺寸图 Product Size



立式燃油(气)蒸汽锅炉

Vertical Oil (gas) Fired Steam Boiler

[产品介绍]

Product Description

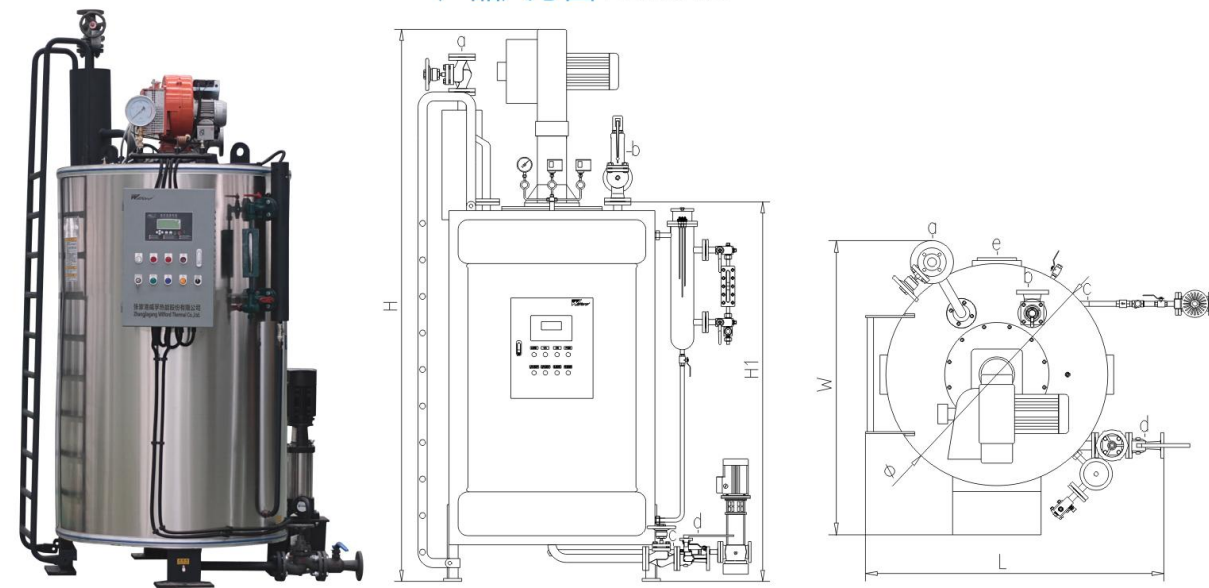
该产品炉胆采用水管贯流式、火管贯流式、立式三回程、锅壳式。火焰完全展开、火焰流程长并且燃烧充分，每部分烟气经三个回程进行热传递，极大降低了排烟温度，减少锅炉开机预热和关机时的热量损失，提高了热效率。拥有控制器的保护装置，接触器的自动恢复防触电功能，通过双重防逆流和排气热保护装置，强化安全机能。

- ◆冷炉启动快，短时间内实现高温高压；
- ◆自然循环，能承受大的温差；
- ◆具有水位、蒸汽压力等多重连锁保护；
- ◆立式结构紧凑而美观，造型优雅，色彩明快，占地面积小便于安装。

LSS series products--water tube structure, fire tube structure, vertical three-pass and shell type. The fire fully expanded. Flame processes long and in full combustion, each part of the flue gas go through three return for heat transfer, greatly reducing the exhaust gas temperature, save heat loss and improves thermal efficiency. The boiler has controller protection and automatic recovery of the contactor to prevent electric shock function. It also has dual anti reflux and exhaust heat protection devices, strengthen the safety function.

- ◆ Quickly startup, achieving high temperature and pressure in short time.
- ◆ Natural circulation, could undertake large temperature difference .
- ◆ With multi chain protection for water level and steam pressure .
- ◆ Vertical structure, compact and beautiful, elegant style, bright color, save room space and easily installation.

产品尺寸图 Product size



技术参数 Specifications

型号 Model		LSS0.5 -0.7-Y.Q	LHS1 -1.0-Y.Q	LHS1.5 -1.0-Y.Q	LHS2 -1.0-Y.Q	
项目 Project	单位 Unit					
额定蒸发量 Rated evaporation	T/h	0.5	1	1.5	2	
额定工作压力 Rated working pressure	MPa	0.7/1.0	1.0/1.25	1.0/1.25	1.0/1.25	
饱和蒸气温度 Staturated steam temperature	°C	170/193	184/193	184/193	184/193	
燃料耗量 Fuel consumption	轻柴油 Light diesel oil	Kg/h	35	70	105	140
	天然气 Natural gas	Nm³/h	40	80	120	160
	液化气 Liquefied gas	Nm³/h	15	30	45	60
	城市煤气 Pipeline gas	Nm³/h	85	170	265	340
a主汽阀口径 Main steam valve diameter	DN	40	50	65	80	
b安全阀口径 Safety valve diameter	DN	40	50	50	40×2	
c进水口径 Water inlet diamater	DN	25	25	32	40	
d排污阀口径 Blowoff valve diameter	DN	25	40	40	40	
e烟囱口径 Chimney diameter	DN	250	350	400	500	
外形尺寸 Overall size	L	mm	1830	1980	2045	2550
	W	mm	1780	1980	2220	2780
	H	mm	2650	3080	3380	3620
	H1	mm	2100	2300	2650	2880
	φ直径 Diameter	mm	1180	1380	1680	1980
重量Weight	T	1.8/2.2	2.3/2.8	3.3/4	4.3/5.2	

型号 Model		LWS0.1 -0.7-Y.Q	LWS0.15 -0.7-Y.Q	LWS0.2 -0.7-Y.Q	LWS0.3 -0.7-Y.Q	
项目 Project	单位 Unit					
额定蒸发量 Rated evaporation	T/h	0.1	0.15	0.2	0.3	
额定工作压力 Rated working pressure	MPa	0.7	0.7	0.7	0.7	
饱和蒸气温度 Staturated steam temperature	°C	170	170	170	170	
燃料耗量 Fuel consumption	轻柴油 Light diesel oil	Kg/h	7	10.5	14	21
	天然气 Natural gas	Nm³/h	8	12	16	24
	液化气 Liquefied gas	Nm³/h	3	4.5	6	9
	城市煤气 Pipeline gas	Nm³/h	17	25.5	34	51
a主汽阀口径 Main steam valve diameter	DN	25	25	32	32	
b安全阀口径 Safety valve diameter	DN	25	25	25	25	
c进水口径 Water inlet diamater	DN	20	20	20	20	
d排污阀口径 Blowoff valve diameter	DN	20	25	25	25	
e烟囱口径 Chimney diameter	DN	120	150	150	200	
外形尺寸 Overall size	L	mm	1020	1150	1260	1270
	W	mm	1080	1260	1400	1570
	W1	mm	760	890	970	1040
	H	mm	1750	1840	2160	2400
	H1	mm	1480	1520	1840	2090
φ直径 Diameter	mm	750	880	960	1000	
重量Weight	kg	470	610	780	850	

本公司可根据客户订货需求，定制各种供电电源规格产品，适配于世界各国电源。
Wilford could provide customized products with specific power supply in the world.

卧式节能燃油(气)蒸汽锅炉

Horizontal Energy Saving Oil (gas) Fired Steam Boiler

产品介绍
Product Description

采用国际上最成熟的三回程全湿背结构，安全可靠。炉胆采用波形炉胆，既强化了烟气的扰动，又增大了辐射传热面积；既增加了炉胆的刚度，又有效的减弱了炉胆的热应力；既增强传热效果，又促进为燃料在炉膛内的燃烧；整个受热面呈对称布置，结构强度牢靠，水循环系统合理。上锅筒水容量大，蒸汽空间大，蒸汽品质好，运行期水位波动小。两锅筒之间距离大，管子直径大，保证良好的自然循环。独特的炉膛设置及烟气对热面的冲刷方式，使锅炉的散热损失极小。

- ◆ 预置后吹扫功能，改善燃烧器工作条件，延长寿命；
- ◆ 独特的大燃烧室设计，增大了炉膛辐射受热面积、缩小了锅炉的体积，降低了NOx的排放；
- ◆ 锅炉前后烟管箱采用多级密封方式，保证不漏烟；
- ◆ 具有较大的蒸汽空间、蒸汽品质好；
- ◆ 卧式结构受热面积充裕，传热充分，负荷变化情况下锅炉运行稳定，燃烧效率高。炉胆低位布置，水位安全范围大。蒸汽蒸发面大，蒸汽品质高。

Above boilers use international most mature three-pass all wet back structure, safety and reliable. Use waveform furnace, strengthens the disturbance of the smoke and increases the radiation heat transfer area; increases the stiffness of the furnace and effectively reduces the thermal stress of the furnace; enhance heat transfer and promote the combustion of fuel in the furnace. The heating surface is arranged symmetrically with solid structural strength and reasonable water circulation. Boiler up part inside has full water capacity, big steam space and good quality steam. During procession, the water level fluctuation is small. Big distance between two ends boiler, big diameter of tubes, all of these ensure good natural circulation. Steam boiler with very small heat loss because of unique furnace and flue gas thermal surface design.

◆ Pre purging function, improve the working conditions of the burner and prolong the service life.

◆ The unique design of the combustion chamber, increasing the radiation heating furnace area, shrinking the size of boiler, reducing NOx emissions.

◆ Two ends smoke box multi-level sealed to avoid smoke leakage.

◆ Large steam room and high quality steam.

◆ Above horizontal structure boiler, with adequate heating area, full heat transfer, stable operating under load revise, high combustion efficiency. Boiler furnace located at low position, ensure the safety range of the water level. Big steam evaporation surface, high quality steam.

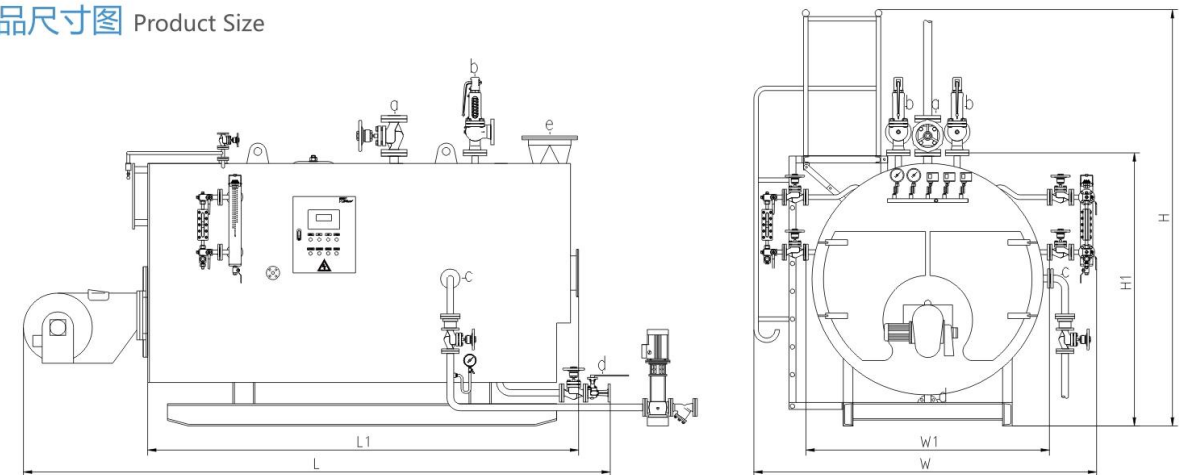


技术参数 Specifications

型号 Model		WNS0.5 -0.7-Y.Q	WNS1 -1.0-Y.Q	WNS1.5 -1.0-Y.Q	WNS2 -1.0-Y.Q	WNS3 -1.0-Y.Q	WNS4 -1.25-Y.Q	WNS6 -1.25-Y.Q	WNS8 -1.25-Y.Q	WNS10 -1.25-Y.Q	WNS12 -1.25-Y.Q	WNS15 -1.25-Y.Q	WNS20 -1.25-Y.Q
额定蒸发量 Rated evaporation	T/h	0.5	1	1.5	2	3	4	6	8	10	12	15	20
额定工作压力 Rated working pressure	Mpa	0.7	1	1	1	1	1.25	1.25	1.25	1.25	1.25	1.25	1.25
饱和蒸气温度 Saturated steam temperature	°C	170	184	184	184	184	193	193	193	193	193	193	193
燃料耗量 Fuel consumption	轻柴油 Light diesel oil	Kg/h	35	70	105	140	210	260	390	520	650	780	975
	天然气 Natural gas	Nm³/h	40	80	120	160	240	280	420	560	700	840	1050
	液化气 Liquefied gas	Nm³/h	15	30	45	60	90	120	180	240	300	360	450
	城市煤气 Pipeline gas	Nm³/h	85	170	250	340	510	680	1020	1360	1700	2040	2550
a主汽阀口径 Main steam valve diameter	DN	40	65	65	80	80	100	125	150	150	200	200	250
b安全阀口径 Safety valve diameter	DN	40	50	50	40×2	40×2	50×2	65×2	80×2	80×2	80×2	80×2	80×2
c进水口径 Water inlet diameter	DN	25	25	40	40	40	50	50	65	65	65	65	80
d排污阀口径 Blowoff valve diameter	DN	40	40	40	50	50	50	50	50	50	65	65	65
e烟囱口径 Chimney diameter	DN	250	300	350	400	450	500	650	800	900	1000	1000	1250
外形尺寸 Overall size	L	mm	3800	4500	4700	4800	5500	6310	7200	7780	8330	8740	10730
	L1	mm	3100	3200	3600	3800	4500	5230	5960	6320	7040	7450	8110
	W	mm	1900	2300	2800	2900	2900	2950	3190	3440	3475	3475	3850
	W1	mm	1000	1880	1900	2150	2350	2350	2650	2980	3040	2700	2950
	H	mm	2100	2680	2950	3250	3880	3120	3610	3700	3800	4050	4210
	H1	mm	1800	1980	2070	2250	2450	2530	2850	2920	3050	3280	3510
重量 Weight	T	3.3	4.6	5.5	6.3	10.6	13.8	18.5	20	23	30.1	36.5	49.5

可根据客户要求，提供其他蒸发量及工作压力的特殊规格型号锅炉。
Could customized steam boilers according to special requirement of steam capacity and working pressure.
本公司可根据客户订货需求，定制各种供电电源规格产品，适配于世界各国电源。
Wilford could provide customized products with specific power supply in the world.

产品尺寸图 Product Size



立式电加热蒸汽锅炉

Vertical Electric Heating Steam Boiler

立式设计的电热蒸汽锅炉，因为加热元件完全浸没在水中并完全绝热，电锅炉的效率非常高，辐射的损失能降到最低。经过精密计算设计，能使锅炉迅速、高效地达到工作压力。采用低表面热负荷电热元件，不容易熔化或变软，每一元件均进行水压及耐电压试验；锅炉在接上电源及水源后即可工作。近100%的热效率，安静、清洁，更符合环保的要求，不会向大气排放NOx（氮氧化物）。

- ◆所有电器元件具有CE和UL认证标志以确保产品安全及使用寿命；
- ◆锅炉启动、停止速度快，运行负荷调节范围大，操作简单；
- ◆每组电热元件采用集中束型法兰连接，独立设置，具有结构简单，机械强度高，安全可靠，更换方便，使用寿命长等特点；
- ◆工作方式灵活，可设置为手动或自动模式；
- ◆独有的功率切换功能，可根据实际蒸汽需求量调节功率，使各接触器使用时间、频率相同，提高设备使用寿命；
- ◆当电热锅炉某组电热元件发生缺相时，立即停止该组运行并切断电源；
- ◆立式结构紧凑而美观，造型优雅，色彩明快，占地面积小便于安装。

Vertical design electric steam boiler, the heating elements are completely submerged in water and completely insulated—high efficiency and minimum radiation losses. After precise calculation&design, boiler could quickly and efficiently reach work pressure. Using low heat load surface heating elements—not easily melted or softened. Each component with water pressure and withstand voltage test. Boiler could immediately work after connecting to power and water supply. Nearly 100% thermal efficiency—quiet, clean, more in line with environmental requirements, no atmospheric emissions NOx (nitrogen oxides)

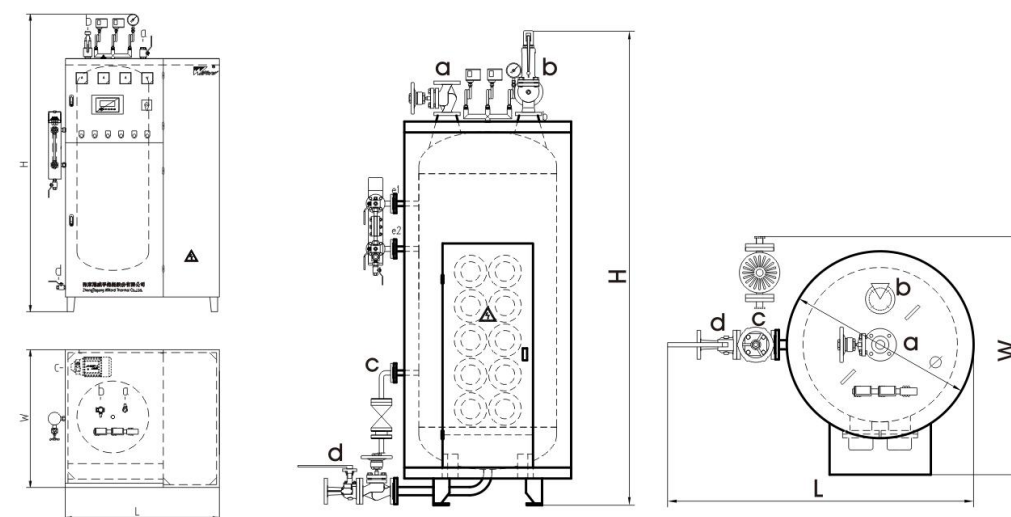
- ◆All electrical components with CE and UL marks—ensure safety and long life service.
- ◆Quickly start and stop, big operation load adjusting range,easily handling.
- ◆Each heating element use a concentrated beam flange connection,independently arrangement, simple structure, high mechanical strength, safe, reliable, convenient replacement, long service life.
- ◆Flexible working methods,could set either manual or automatic mode.
- ◆Unique power switching function, could be regulated based on actual demand of steam power, make same usage time/frequency, improve equipment service life.
- ◆When electric boiler heating element in a group has problem, could immediately stop operation the destroyed heating group and cut off power supply.
- ◆Vertical structure, compact and beautiful, elegant style, classic color, save room space and easily installation.

技术参数 Specifications

型号 Model		LDR0.15-0.7	LDR0.2-0.7	LDR0.3-0.7	LDR0.5-0.8	
项目 Project	单位 Unit					
额定蒸发量 Rated evaporation	T/h	0.15	0.2	0.3	0.5	
额定工作压力 Rated working pressure	MPa	0.7/1.0	0.7/1.0	0.7/1.0	0.8/1.0	
饱和蒸气温度 Saturated steam temperature	°C	170/193	170/193	170/193	184/193	
输入功率 Input power	KW	108	144	216	360	
输入电流 Input current	A	162	216	324	540	
额定电压 Rated voltage	V	3N AC 50Hz 380V				
功率×组数 Power×Group	KW×P	18×6	18×8/24×6	27×8	36×10	
a主汽阀口径 Main steam valve diameter	DN	25	32	32	50	
b安全阀口径 Safety valve diameter	DN	25	25	25	40	
c进水口径 Water Inlet diameter	DN	20	20	20	25	
d排污阀口径 Blowoff valve diameter	DN	25	25	25	40	
外形尺寸 Overall size	L	mm	1100	1280/1150	1300	1580
	W	mm	950	1150/950	1200	1350
	H	mm	2050	2100/2050	2200	2600
	A	mm	-	-	-	1200
	B	mm	-	-	-	500
	C	mm	-	-	-	1800
重量 Weight	kg	330/400	450/530	680/740	980/1080	

LDR0.3及以上为分体结构，带独立锅炉控制柜。
For boiler steam capacity up to or more than 300kg/hr, the structure is separated --boiler with separate electrical control cabinet.
本公司可根据客户订货需求，定制各种供电电源规格产品，适配于世界各国电源。
Wilford could provide customized products with specific power supply in the world.

产品尺寸图 Product Size



卧式电加热蒸汽锅炉

Horizontal Electric Heating Steam Boiler

[产品介绍]

Product Description

该产品属卧式大功率蒸汽锅炉，采用炉体电控制柜分离方式，避免了电器元件受热老化而影响使用寿命。电热管选用国内外优质产品、正常使用寿命约20000小时，热效率近99%，运行安静、清洁，符合环保的要求，不会向大气排放NOx（氮氧化物）。运行采用PLC控制系统，全免操作钮、全免指示灯、触摸屏面板、中英文显示、人机对话、操作授权、实时信息、自动翻页。

- ◆ 所有电器元件具有CE和UL认证标志以确保产品安全及使用寿命；
- ◆ 每组电热元件采用集中束型法兰连接，独立设置，具有结构简单，机械强度高，安全可靠，更换方便，使用寿命长等特点；
- ◆ 具有较大的蒸汽空间、蒸汽品质好；
- ◆ 机电分体安装，电控元件远离热源，有利散热。可单台或多台并联使用；
- ◆ PLC微电脑可编程控制及显示屏；通过人机界面实现温度设定自动控制出水温度。显示屏可显示设备状态运行参数及故障报警。

This model boiler is powerful horizontal steam boiler. The boiler furnace is separated from electrical control cabinet to avoid the aging of electrical heating element. Electrical heating tube is high quality with service life around 20,000 hours. Thermal efficiency is nearly 99%, quiet operation, clean, environment friendly, no atmospheric emissions of NOx (nitrogen oxides). Boiler with PLC control system, free button operation, free signal light, touch-screen panel, Chinese & English, the man-machine dialogue, authorized operation, real-time information, automatically turning pages.

- ◆ All electrical components with CE and UL marks--ensure safety and long life service.
- ◆ Each heating element use a concentrated beam flange connection, independently arrangement, simple structure, high mechanical strength, safe, reliable, convenient replacement, long service life.
- ◆ Large steam room, super quality steam.
- ◆ Boiler and control cabinet is separated, so control components could away from heat source. One set or many sets could together for multi-usage.
- ◆ PLC microcomputer programmable control and display screen. Automatic water outlet temperature control settings. Screen displays equipment operating parameters and fault alarm.

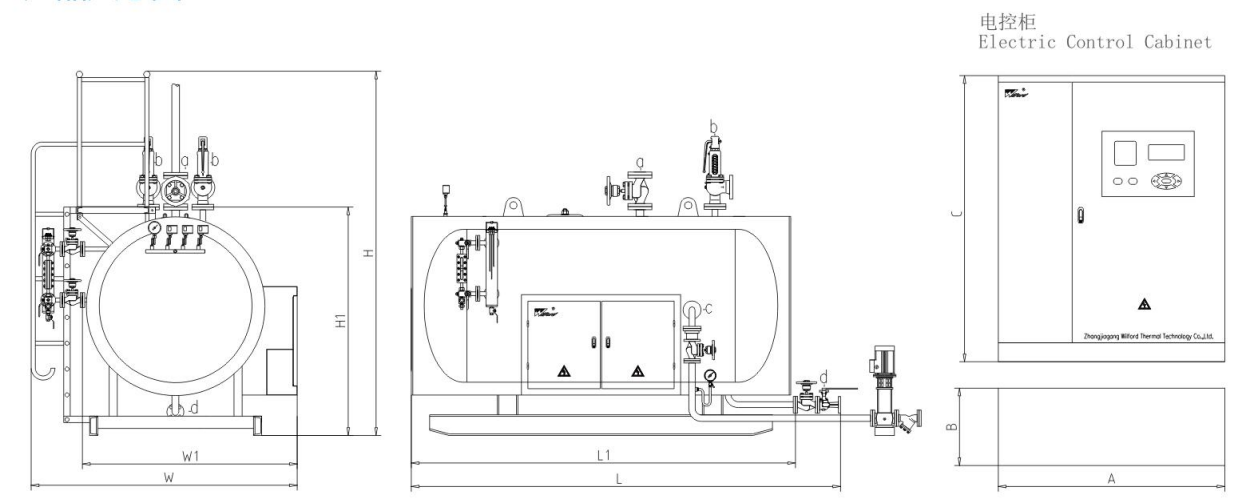


技术参数 Specifications

型号 Model		WDR0.75 -1.0	WDR1 -1.0	WDR1.5 -1.0	WDR2 -1.25	WDR3 -1.25	WDR4 -1.25	
项目 Project	单位 Unit							
额定蒸发量 Rated evaporation	T/h	0.75	1	1.5	2	3	4	
额定工作压力 Rated working pressure	MPa	1.0/1.25	1.0/1.25	1.0/1.25	1.0/1.25	1.0/1.25	1.0/1.25	
饱和蒸气温度 Saturated steam temperature	°C	184/193	184/193	184/193	184/193	184/193	184/193	
输入功率 Input power	KW	540	720	1080	1440	2160	2880	
输入电流 Input current	A	810	1080	1620	2160	3240	4320	
额定电压 Rated voltage	V	3N AC 50Hz 380V						
功率×组数 Power×Group	KW×P	36×15	36×20	36×30	36×40	36×60	36×80	
a主汽阀口径 Main steam valve diameter	DN	40	40	65	65	80	100	
b安全阀口径 Safety valve diameter	DN	2×40	2×40	2×40	2×40	2×40	2×50	
c进水口径 Water inlet diameter	DN	25	25	25	25	40	40	
d排污阀口径 Blowoff valve diameter	DN	40	40	40	40	40	40	
外形尺寸 Overall size	L	mm	2800	2950	3450	3500	3950	4100
	L1	mm	2400	2500	3050	2880	3200	3550
	W	mm	1800	1900	2180	2000	2100	2300
	W1	mm	1550	1600	1430	1880	1980	2120
	H	mm	1550	1600	2100	2500	2650	2980
	H1	mm	1300	1350	1850	1900	2100	2200
控制柜尺寸 electrical control cabinet size	A长Length	mm	1200	1200	1500	2200	2000 (2只)	2200 (2只)
	B宽Width	mm	500	600	600	700	700	700
	C高Height	mm	1800	1800	2000	2000	2200	2200
重量Weight	T	1.6/2.0	1.8/2.2	2.2/2.7	2.8/3.3	3.5/4.1	4.5/5.2	

本公司可根据客户订货需求，定制各种供电电源规格产品，适配于世界各国电源。
Wilford could provide customized products with specific power supply in the world.

产品尺寸图 Product Size



立式电加热蒸汽锅炉

Vertical Electric Heating Steam Boiler

产品介绍

Product Description

立式设计的电加热蒸汽锅炉，因为加热元件完全浸没在水中并完全绝热，电锅炉的效率非常高，辐射的损失能降到最低。经过精密计算设计，能使锅炉迅速、高效地达到工作压力。采用低表面热负荷电热元件，不容易熔化或变软，每一元件均进行水压及耐电压试验；锅炉在接上电源及水源后即可工作。近100%的热效率，安静、清洁，更符合环保的要求，不会向大气排放NOx（氮氧化物）。

- ◆所有电器元件具有CE和UL认证标志以确保产品安全及使用寿命；
- ◆锅炉启动、停止速度快，运行负荷调节范围大，操作简单；
- ◆每组电热元件采用集中束型法兰连接，独立设置，具有结构简单，机械强度高，安全可靠，更换方便，使用寿命长等特点；
- ◆工作方式灵活，可设置为手动或自动模式；
- ◆独有的功率切换功能，可根据实际蒸汽需求量调节功率，使各接触器使用时间、频率相同，提高设备使用寿命；
- ◆当电热锅炉某组电热元件发生缺相时，立即停止该组运行并切断电源；
- ◆立式结构紧凑而美观，造型优雅，色彩明快，占地面积小便于安装。

Vertical design electric steam boiler, the heating elements are completely submerged in water and completely insulated—high efficiency and minimum radiation losses. After precise calculation&design, boiler could quickly and efficiently reach work pressure. Using low heat load surface heating elements—not easily melted or softened. Each component with water pressure and withstand voltage test. Boiler could immediately work after connecting to power and water supply. Nearly 100% thermal efficiency—quiet, clean, more in line with environmental requirements, no atmospheric emissions NOx (nitrogen oxides)

- ◆All electrical components with CE and UL marks—ensure safety and long life service.
- ◆Quickly start and stop, big operation load adjusting range,easily handling.
- ◆Each heating element use a concentrated beam flange connection,independently arrangement, simple structure, high mechanical strength, safe, reliable, convenient replacement, long service life.
- ◆Flexible working methods,could set either manual or automatic mode.
- ◆Unique power switching function, could be regulated based on actual demand of steam power, make same usage time/frequency, improve equipment service life.
- ◆When electric boiler heating element in a group has problem, could immediately stop operation the destroyed heating group and cut off power supply.
- ◆Vertical structure, compact and beautiful, elegant style, classic color, save room space and easily installation.

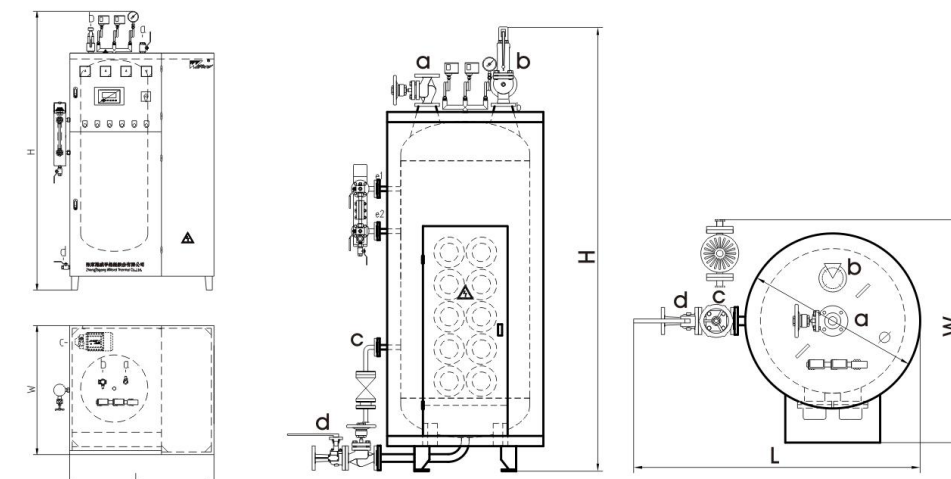


技术参数 Specifications

型号 Model		LDR0.15-0.7	LDR0.2-0.7	LDR0.3-0.7	LDR0.5-0.8	
项目 Project	单位Unit					
额定蒸发量 Rated evaporation	T/h	0.15	0.2	0.3	0.5	
额定工作压力 Rated working pressure	MPa	0.7/1.0	0.7/1.0	0.7/1.0	0.8/1.0	
饱和蒸气温度 Saturated steam temperature	°C	170/193	170/193	170/193	184/193	
输入功率 Input power	KW	108	144	216	360	
输入电流 Input current	A	162	216	324	540	
额定电压 Rated voltage	V	3N AC 50Hz 380V				
功率×组数 Power×Group	KW×P	18×6	18×8/24×6	27×8	36×10	
a主汽阀口径 Main steam valve diameter	DN	25	32	32	50	
b安全阀口径 Safety valve diameter	DN	25	25	25	40	
c进水口径 Water Inlet diameter	DN	20	20	20	25	
d排污阀口径 Blowoff valve diameter	DN	25	25	25	40	
外形尺寸 Overall size	L	mm	1100	1280/1150	1300	1580
	W	mm	950	1150/950	1200	1350
	H	mm	2050	2100/2050	2200	2600
	A	mm	—	—	—	1200
	B	mm	—	—	—	500
C	mm	—	—	—	1800	
重量Weight	kg	330/400	450/530	680/740	980/1080	

LDR0.3及以上为分体结构，带独立锅炉控制柜。
For boiler steam capacity up to or more than 300kg/hr ,the structure is seperated --boiler with seperate electrical control cabinet.
本公司可根据客户订货需求，定制各种供电电源规格产品，适配于世界各国电源。
Wilford could provide customized products with specific power supply in the world.

产品尺寸图 Product Size



卧式电加热蒸汽锅炉

Horizontal Electric Heating Steam Boiler

[产品介绍]
Product Description

该产品属卧式大功率蒸汽锅炉，采用炉体电控制柜分离方式，避免了电器元件受热老化而影响使用寿命。电热管选用国内外优质产品、正常使用寿命约20000小时，热效率近99%，运行安静、清洁，符合环保的要求，不会向大气排放NO_x（氮氧化物）。运行采用PLC控制系统，全免操作按钮、全免指示灯、触摸屏面板、中英文显示、人机对话、操作授权、实时信息、自动翻页。

- ◆ 所有电器元件具有CE和UL认证标志以确保产品安全及使用寿命；
- ◆ 每组电热元件采用集中束型法兰连接，独立设置，具有结构简单，机械强度高，安全可靠，更换方便，使用寿命长等特点；
- ◆ 具有较大的蒸汽空间、蒸汽品质好；
- ◆ 机电分体安装，电控元件远离热源，有利散热。可单台或多台并联使用；
- ◆ PLC微电脑可编程控制及显示屏；通过人机界面实现温度设定自动控制出水温度。显示屏可显示设备状态运行参数及故障报警。

This model boiler is powerful horizontal steam boiler. The boiler furnace is separated from electrical control cabinet to avoid the aging of electrical heating element. Electrical heating tube is high quality with service life around 20,000 hours. Thermal efficiency is nearly 99%, quiet operation, clean, environment friendly, no atmospheric emissions of NO_x (nitrogen oxides). Boiler with PLC control system, free button operation, free signal light, touch-screen panel, Chinese & English, the man-machine dialogue, authorized operation, real-time information, automatically turning pages.

- ◆ All electrical components with CE and UL marks--ensure safety and long life service.
- ◆ Each heating element use a concentrated beam flange connection, independently arrangement, simple structure, high mechanical strength, safe, reliable, convenient replacement, long service life.
- ◆ Large steam room, super quality steam.
- ◆ Boiler and control cabinet is seperated, so control components could away from heat source. One set or many sets could together for multi-usage.
- ◆ PLC microcomputer programmable control and display screen. Automatic water outlet temperature control settings. Screen displays equipment operating parameters and fault alarm.

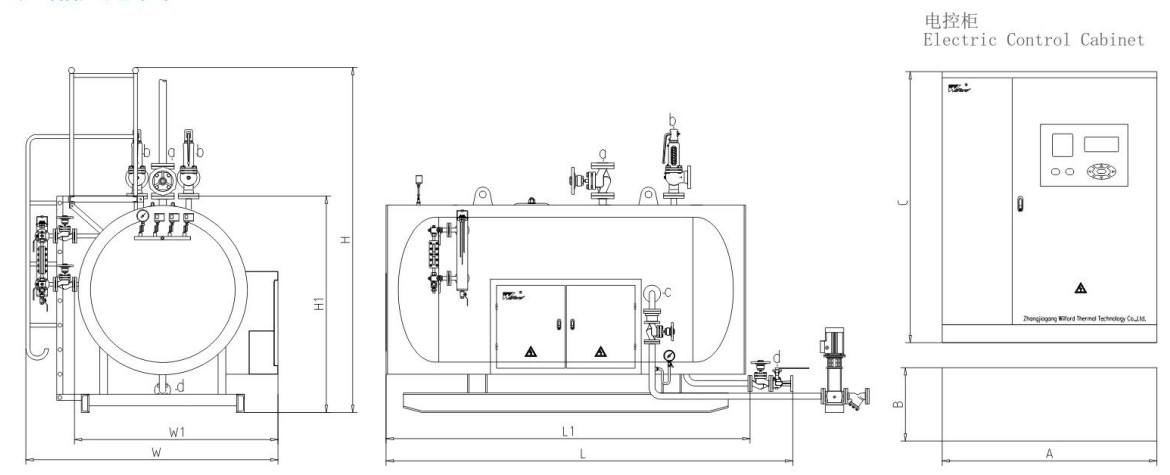


技术参数 Specifications

型号 Model		WDR0.75 -1.0	WDR1 -1.0	WDR1.5 -1.0	WDR2 -1.25	WDR3 -1.25	WDR4 -1.25	
项目 Project	单位 Unit							
额定蒸发量 Rated evaporation	T/h	0.75	1	1.5	2	3	4	
额定工作压力 Rated working pressure	MPa	1.0/1.25	1.0/1.25	1.0/1.25	1.0/1.25	1.0/1.25	1.0/1.25	
饱和蒸气温度 Saturated steam temperature	°C	184/193	184/193	184/193	184/193	184/193	184/193	
输入功率 Input power	KW	540	720	1080	1440	2160	2880	
输入电流 Input current	A	810	1080	1620	2160	3240	4320	
额定电压 Rated voltage	V	3N AC 50Hz 380V						
功率×组数 Power×Group	KW×P	36×15	36×20	36×30	36×40	36×60	36×80	
a主汽阀口径 Main steam valve diameter	DN	40	40	65	65	80	100	
b安全阀口径 Safety valve diameter	DN	2×40	2×40	2×40	2×40	2×40	2×50	
c进水口径 Water inlet diameter	DN	25	25	25	25	40	40	
d排污阀口径 Blowoff valve diameter	DN	40	40	40	40	40	40	
外形尺寸 Overall size	L	mm	2800	2950	3450	3500	3950	4100
	L1	mm	2400	2500	3050	2880	3200	3550
	W	mm	1800	1900	2180	2000	2100	2300
	W1	mm	1550	1600	1430	1880	1980	2120
	H	mm	1550	1600	2100	2500	2650	2980
控制柜尺寸 electrical control cabinet size	A长 Length	mm	1200	1200	1500	2200	2000 (2只)	2200 (2只)
	B宽 Width	mm	500	600	600	700	700	700
	C高 Height	mm	1800	1800	2000	2000	2200	2200
重量 Weight	T	1.6/2.0	1.8/2.2	2.2/2.7	2.8/3.3	3.5/4.1	4.5/5.2	

本公司可根据客户订货需求，定制各种供电电源规格产品，适配于世界各国电源。
Wilford could provide customized products with specific power supply in the world.

产品尺寸图 Product Size



定制锅炉系列

Special Customized Boiler Series

特种定制锅炉,满足客户所有需求

Special Customized, Meet Different Requirement



防爆锅炉 Explosion Proof Boiler



Asme锅炉 Asme Boiler



轻质锅炉 Light Boiler



高压锅炉 High Pressure Boiler



纯蒸汽发生器 Pure Steam Generator



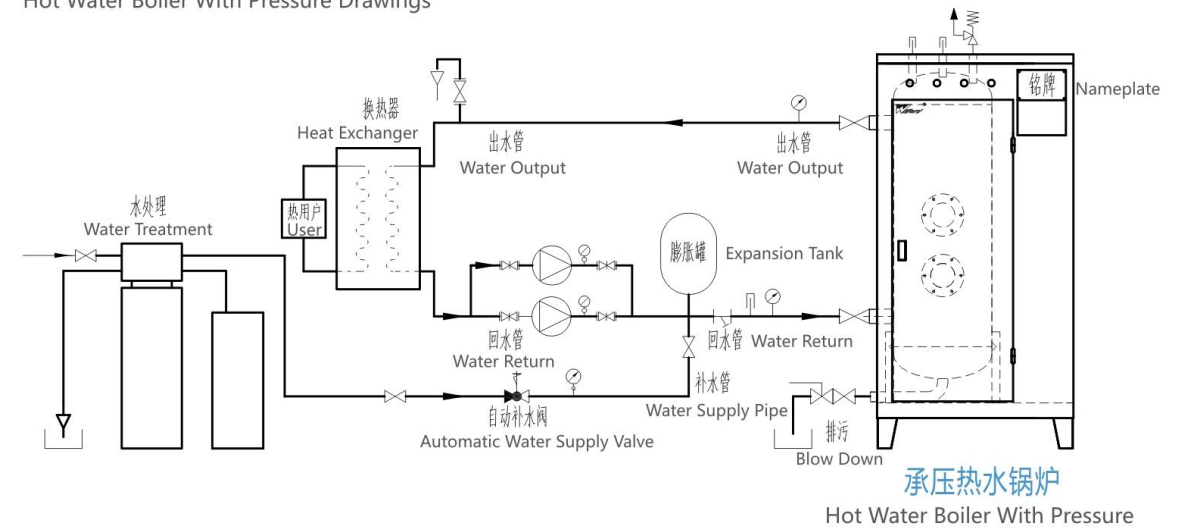
不锈钢蒸汽发生器 Stainless Steel Steam Generator

热水锅炉系统安装图

Hot Water Boiler System Installation Drawings

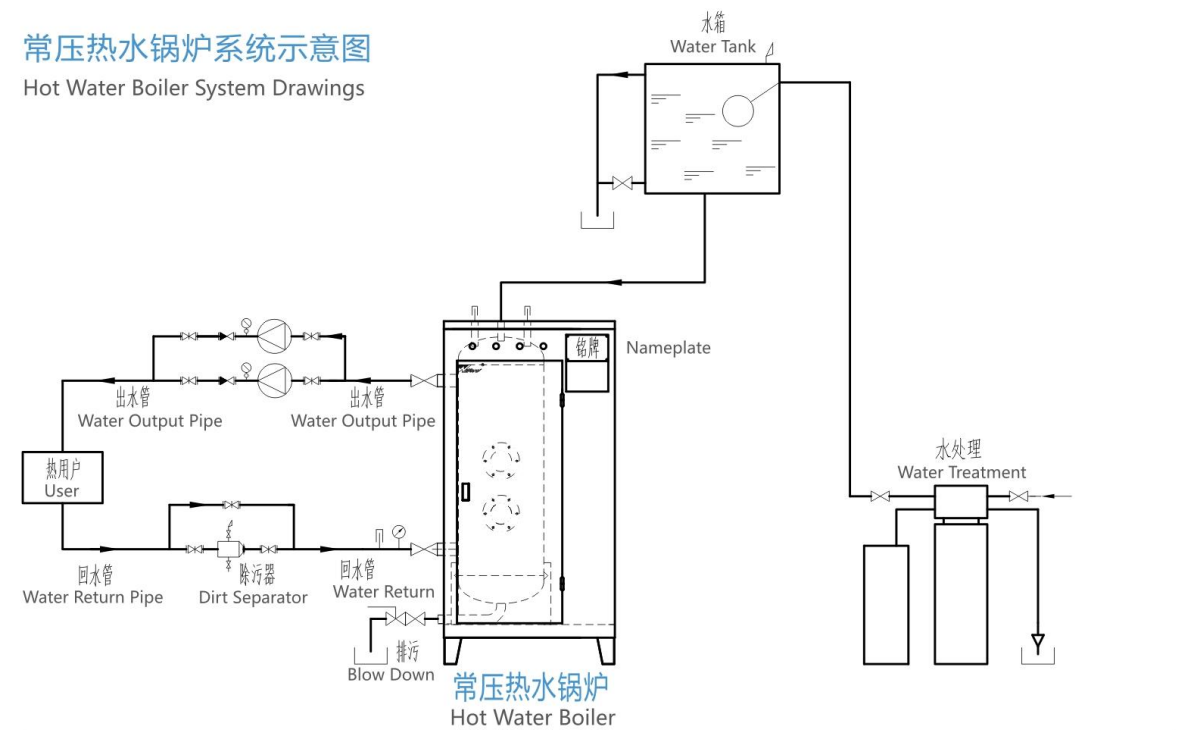
承压热水锅炉系统示意图

Hot Water Boiler With Pressure Drawings



常压热水锅炉系统示意图

Hot Water Boiler System Drawings



电加热承压热水锅炉

Electric Heating Pressure Hot Water Boiler

产品介绍 Product Description

免检说明 National Inspection-free Instructions

LDR系列承压热水锅炉是我公司参照TSG G0001《锅炉安全技术监察规程》和TSG G0002《锅炉节能技术监督管理规程》以及JB/T10094《工业锅炉通用技术条件》设计开发的小型承压热水锅炉，额定出水温度95℃，锅炉补水仅用自来水加压。锅炉设备级别属于D级锅炉。经江苏省特种设备安全监督检验研究院图样鉴定合格及产品监督检验合格。按TSG G0001《锅炉安全技术监察规程》第13章对D级锅炉的要求，本型号锅炉可不需要安装告知，并且不实施安装监督检验。

采用微电脑承压热水锅炉控制器，内置背光灯的LCD液晶显示屏，锅炉的运行状态清晰可见。所有操作都简单地通过按键轻松完成，锅炉控制器的超级显示功能、控制功能十分齐全。

大功率锅炉采用步进式控制加热组，加热组可根据负荷变化随机投入或停止工作，明显减少对电网的冲击。同时也可以手动开启、停止加热段数，方便用户自行调整锅炉电功率。

控制系统根据炉水温度控制循环泵的启停。使用热水锅炉采暖时，炉水达到设定上限水温时热水循环泵启动，低于设定下限水温时热水循环泵停止；使用热水锅炉洗浴时，炉水达到设定上限水温时热水循环泵停止，低于设定下限水温时热水循环泵启动。

洗浴、生活用热水锅炉内部经过防腐处理，炉体不易生锈腐蚀，锅炉使用寿命长，热水水质洁净、卫生。采用高级离心玻璃纤维丝棉多层保温，热损失少，节能降耗；名优白色彩板精美包装，外型美观大方耐腐蚀。

锅炉具有漏电保护功能、防干烧极低水位保护功能、炉体过热保护功能、温度传感器异常保护功能、电源电压异常保护功能、加热组件断相保护功能等。

- ◆ 锅炉本体承压下运行，采用压力与温度双重信号控制,无安全隐患；
- ◆ 采用先进触摸屏控制器，数码检控系统，具有定时控制，工作纪录、检漏报警功能，并可增设厂家定时锁；
- ◆ 锅炉运行实现全自动控制，对出口水温自动调节，锅炉自动程序启动，配有多种报警联锁保护装置，确保锅炉高效、安全、可靠运行；
- ◆ 完美的造型设计，明快的外观色泽，优雅时尚，结构紧凑，外形美观，整体快装出厂，运输安装方便；
- ◆ 可根据用户要求，提供其它压力、发热量及进回水温度的热水锅炉。

LDR series pressure hot water boiler is designed base on TSG G0001 "Boiler safety technology supervision regulation" and TSG G0002 "Boiler energy-saving technical supervision management discipline" and JB/T10094 "Industrial boiler general technical conditions". It's small type hot water boiler with pressure-rated water output temperature is 95° C, and water supply could be tap water. It's D class boiler. Drawing and quality is identified and approved by the Jiangsu province special equipment safety supervision and inspection institute. According to requirement for boiler base on article 13 of TSG G0001 "Boiler safety technology supervision regulation"-this type boiler no need installation notice and supervision & inspection.

Hot water boiler with pressure--microcomputer controller, built-in backlight LCD screen display, clearly see operation of the boiler. All operations are easily accomplished by simply buttons.

High-power heating boiler uses step by step control heating group--it could start or stop working according to load change and significantly reduce the impact to the grid. The boiler could also manually open/stop heating section numbers, which convenient for adjusting boiler electrical heating power.

The system controls circulating pump base on boiler water temperature. Hot water boiler --during heating usage, the circulation pump starts once boiler water temperature reaches the upper limit and stops once boiler water lower than fixed lower limit. Hot water boiler--during bath usage, the circulation pump stops once boiler water reaches the upper temperature limit and starts once boiler water lower than fixed lower limit.

Hot water boiler used for bath/living--inner part already been anticorrosive treated. Furnace body is not easily rusted & corrosion, long life usage and output hot water clean & sanitary. Using advanced centrifugal glass cotton fibre multilayer insulation, less heat loss, energy saving. Famous white color plate exquisite packaging, beautiful and corrosion resistance.

Hot water boiler--electric leakage protection, prevent dry burning/ low water level protection, furnace overheating protection, temperature sensor protection, power supply & voltage protection, heating component failure protection etc.

- ◆ Boiler furnace operates under pressure, with double control of pressure and temperature, no hidden trouble of safety.
- ◆ Hot water boiler --advanced touch screen controller, digital control system, with timing control/working records, leakage detection alarm function, and could add factory time lock.
- ◆ Boiler operation is fully automatic - outlet water temperature automatic adjustment, boiler automatic program starts, equipped with a variety of alarm interlock protection device to ensure efficient, safe and reliable operation of boilers.
- ◆ Perfect design, elegant style, classic color, compact structure, nice looking, fully assembled, easily for transportation and installation.
- ◆ Above hot water boiler could be customized according to pressure /heating capacity as well as water inlet or outlet temperature requirement.

技术参数 Specifications

型号 Model		LDR0.12 -95/70	LDR0.17 -95/70	LDR0.23 -95/70	LDR0.35 -95/70	LDR0.47 -95/70	LDR0.53 -95/70	LDR0.7 -95/70	
额定热功率 Rated thermal power	MW	0.12	0.17	0.23	0.35	0.47	0.53	0.7	
额定工作压力 Rated working pressure	MPa	0.2/0.4/0.7	0.2/0.4/0.7	0.2/0.4/0.7	0.2/0.4/0.7	0.2/0.4/0.7	0.2/0.4/0.7	0.2/0.4/0.7	
额定出水温度 Saturated water temperature	°C	95/100/120	95/100/120	95/100/120	95/100/120	95/100/120	95/100/120	95/100/120	
输入功率 Input power	KW	120	180	240	360	480	540	720	
输入电流 Input current	A	180	270	360	540	720	810	1080	
额定电压 Rated voltage	V	3N AC 50Hz 380V							
功率×组数 Power×Group	KW×P	20×6	30×6	30×8	36×10	35×14	34×16	36×20	
a出水管口径 Water outlet diameter	DN	50	50	50	65	80	80	100	
b回水管口径 Water return diameter	DN	50	50	50	65	80	80	100	
c进水管口径 Water inlet diameter	DN	15	15	15	25	25	25	25	
d排污管口径 Blowoff valve diameter	DN	25	25	25	25	25	25	25	
外形尺寸 Overall size	L	mm	1050	1150	1280	1580	1680	1720	1750
	W	mm	950	950	1150	1350	1500	1600	1650
	H	mm	1900	2050	2100	2600	2950	2950	3000
	A	mm	-	-	-	1200	1200	1200	1200
	B	mm	-	-	-	500	500	600	600
C	mm	-	-	-	1800	1800	1800	1800	
重量 Weight	kg	330/400	450/530	680/740	980/1080	1210/1380	1500/1680	1600/1780	

LDR0.35及以上为分体结构，带独立锅炉控制柜
LDR0.35 and more, the structure is separated, with independent control cabinet
额定工作压力: 0.2MPa为免检型承压热水锅炉 (仅用自来水加压)
Rated working pressure: 0.2Mpa is national inspection-free hot water boiler with pressure (tap water pressure only)
本公司可根据客户订货需求，定制各种供电电源规格产品，适配于世界各国电源。
Wilford could provide customized products with specific power supply in the world.



电加热热水锅炉

Electric Heating Hot Water Boiler

[产品介绍]
Product Description

- ◆ 无噪音、无污染、清洁卫生，是真正的绿色环保产品；
 - ◆ 采用优质不锈钢加热管或进口合金钢材料电加热管，确保锅炉安全长久运行；
 - ◆ 选用专业厂家标准控制柜，工艺先进，制作规范，防护等级高；
 - ◆ 用电作热源，无排烟热损失，热效率高达98%以上；
 - ◆ 热功率在30万大卡以下为机电一体式，热功率在30万大卡以上炉体与控制柜分离。便于安装、检修和保养维护；
 - ◆ 接线端子排有详细地接线标识，为现场安装提供极大的方便；
 - ◆ 选配高性能的电磁控制器(频繁动作在1000000次以上)，内装分支路熔丝保护、120V带保险丝变压器、电源开关指示；
 - ◆ 运行过程全自动控制，具有电热元件步进式投切、循环启停、自动补水、缺水、超温、自动报警、漏电保护等功能；
 - ◆ 可根据用户要求，利用夜间低谷电设计蓄热储能设备。
- ◆ No noise, no pollution, clean and sanitary, electric heating hot water boiler is true real green products.
 - ◆ Using high-quality stainless steel or alloy steel materials electric heating tubes to ensure long-term boiler safety operation.
 - ◆ Professional standard control cabinet-advanced technology-standardized production-high-level protection.
 - ◆ Using electricity as heating source, no smoke output loss, heating efficiency could up to 98%.
 - ◆ Thermal power lower than 300,000 Kcal-boiler and electrical control all in one design. Thermal power more than 300,000 Kcal-Boiler and control cabinet is separated. Different design and structure, easily for installation and maintenance.
 - ◆ Clear mark for wiring connecting, great convenient for local installation.
 - ◆ High-performance electromagnetic controller (frequent moves more than one million), build-in branch fuse protection, 120V fuse transformer, power switch directions.
 - ◆ Fully automatic operation process control, step-by-step heating element control, recycling start or stop, automatic water supply, automatic alarm for water shortages/over-temperature as well as leakage protection.
 - ◆ We could help customer design heat preservation equipment.and making good use of electric power cost between on-peak and off-peak.



技术参数 Specifications

型号 Model		CLDR0.06 -85/60	CLDR0.12 -85/60	CLDR0.17 -85/60	CLDR0.23 -85/60	CLDR0.29 -85/60	CLDR0.35 -85/60	
项目 Project	单位 Unit							
额定热功率 Rated thermal power	MW	0.06	0.12	0.17	0.23	0.29	0.35	
总发热量 Total heating capacity	10 ⁴ kcal	5	10	15	20	25	30	
额定工作压力 Rated working pressure	Mpa	常压						
输入功率 Input power	KW	60	120	180	240	300	360	
输入电流 Input current	A	90	180	270	360	450	540	
额定电压 Rated voltage	V	3N AC 50HZ 380V						
功率×组数 Power×Group	KW×P	20×3	20×6	30×6	30×8	30×10	30×12	
进水口径 Water inlet diameter	DN	50	65	65	65	65	80	
出水口径 Water outlet diameter	DN	50	65	65	65	65	80	
排污阀口 Blowoff valve diameter	DN	25	25	25	25	25	25	
外形尺寸 Overall size	长Length	mm	750	920	960	1050	1120	1200
	宽Width	mm	900	820	860	970	1020	1100
	高Height	mm	1020	1200	1400	1510	1630	1850
重量 Weight	kg	210	245	310	340	370	410	

型号 Model		CLDR0.47 -85/60	CLDR0.58 -85/60	CWDR0.7 -85/60	CWDR1.05 -85/60	CWDR1.4 -85/60	CWDR2.1 -85/60	
项目 Project	单位 Unit							
额定热功率 Rated thermal power	MW	0.47	0.58	0.7	1.05	1.4	2.1	
总发热量 Total heating capacity	10 ⁴ kcal	40	50	60	90	120	180	
额定工作压力 Rated working pressure	Mpa	常压						
输入功率 Input power	KW	480	540	720	1080	1440	2160	
输入电流 Input current	A	720	810	1080	1620	2160	3240	
额定电压 Rated voltage	V	3N AC 50HZ 380V						
功率×组数 Power×Group	KW×P	30×16	36×15	36×20	36×30	36×40	36×60	
进水口径 Water inlet diameter	DN	100	100	100	125	150	150	
出水口径 Water outlet diameter	DN	100	100	100	125	150	150	
排污阀口 Blowoff valve diameter	DN	25	40	50	50	50	50	
外形尺寸 Overall size	长Length	mm	1350	1420	2500	2750	3100	3500
	宽Width	mm	1250	1300	1350	1500	1750	1960
	高Height	mm	2000	2150	1700	2050	2200	2350
重量 Weight	kg	580	750	1650	1870	2500	3960	

本公司可根据客户订货需求，定制各种供电电源规格产品，适配于世界各国电源。
Wilford could provide customized products with specific power supply in the world.

承压燃油(气)热水锅炉

Oil (Gas) Pressurized Hot Water Boiler

产品介绍
Product Description

- ◆ 采用湿背式三回程结构，炉胆为波形炉胆，受热面大；
 - ◆ 烟管采用螺纹管，优化传热，热效率高；
 - ◆ 前烟箱采用铰链式连接，可方便开启；双层门隔热保温，有效降低前面板温度，减少热损失，提高热效率；
 - ◆ 采用先进控制器，具有定时控制、自动工作记录、检漏报警、压力保护、温度控制、缺水保护等功能；
 - ◆ 出烟口可增设冷凝换热器，降低排烟温度吸收烟气中的显热和潜热，提高锅炉热效率（达95%）。
- ◆ Three pass wetback design, with corrugated furnace large heating surface.
 - ◆ Adopt threaded pipe as the smoke pipe to optimize the heat conductivity with high heating efficiency.
 - ◆ The front smoke case is connected with chain type, convenient to open; double layered doors for heat preservation.
 - ◆ Adopt advanced controller, with the functions of timing control, automatic working records, leakage checking and alarming, pressure protection, temperature controlling and water shortage protection etc.
 - ◆ Condensation heat exchanger could be added on the smoke outlet position to decrease temperature, absorb the heat in the smoke, improve the heating efficiency(up to 95%).



技术参数 Specifications

型号 Model		WNS0.35 -0.7-95/70 -Y.Q	WNS0.48 -0.7-95/70 -Y.Q	WNS0.7 -0.7-95/70 -Y.Q	WNS1.05 -1.0-115/70 -Y.Q	WNS1.4 -1.0-115/70 -Y.Q	WNS2.1 -1.0-115/70 -Y.Q	
项目 Project	单位 Unit							
额定热功率 Rated thermal power	MW	0.35	0.48	0.7	1.05	1.4	2.1	
额定工作压力 Rated working pressure	MPa	0.7	0.7	0.7	1	1	1	
额定出水温度 The water temperature	°C	95	95	95	115	115	115	
额定回水温度 Return water temperature	°C	70	70	70	70	70	70	
设计热效率 Design thermal efficiency	%	93.43	93.51	92.94	93.09	93	93	
水容量 Water capacity	L	1520	1760	1950	2520	2930	4300	
出水口 Water outlet	mm	50	65	80	80	100	100	
进水口 Feed water inlet	mm	50	65	80	80	100	100	
排污阀 Drain valve	mm	40	40	40	50	50	50	
烟囱直径 Chimney	mm	220	220	280	330	330	400	
外形尺寸 Overall size	长 Length	mm	2450	2750	3050	3200	3500	3900
	宽 Width	mm	1450	1450	1480	1690	1690	1800
	高 Height	mm	1800	1800	1970	2270	2270	2504
底座尺寸 Size of base	长 Length	mm	2000	2200	2500	2700	2950	3580
	宽 Width	mm	900	900	900	1300	1300	1400
燃料耗量 Fuel consumption	天然气 N.G	Nm³/h	38.24	52.4	76.89	115.16	153.69	228.44
	轻油 Light oil	Kg/h	31.56	43.28	63.56	95.18	127.07	188.45
	城市煤气 C.G	Nm³/h	81.26	111.35	163.4	244.72	326.6	485.35
锅炉运输重量 Transport weight	kg	3000	3500	4000	4600	6000	7600	

型号 Model		WNS2.8 -1.0-115/70 -Y.Q	WNS3.5 -1.0-115/70 -Y.Q	WNS4.2 -1.0-115/70 -Y.Q	WNS5.6 -1.0-115/70 -Y.Q	WNS7 -1.0-115/70 -Y.Q	WNS10.5 -1.0-115/70 -Y.Q	WNS14 -1.0-115/70 -Y.Q	
项目 Project	单位 Unit								
额定热功率 Rated thermal power	MW	2.8	3.5	4.2	5.6	7	10.5	14	
额定工作压力 Rated working pressure	MPa	1	1	1	1	1	1	1	
额定出水温度 The water temperature	°C	115	115	115	115	115	115	115	
额定回水温度 Return water temperature	°C	70	70	70	70	70	70	70	
设计热效率 Design thermal efficiency	%	94.05	94	94.06	94.15	94.02	94.1	94.12	
水容量 Water capacity	L	5820	8000	10860	13500	15500	24000	26000	
出水口 Water outlet	mm	150	150	200	200	200	250	250	
进水口 Feed water inlet	mm	150	150	200	200	200	250	250	
排污阀 Drain valve	mm	50	50	50	50	50*3	50*3	50*3	
烟囱直径 Chimney	mm	450	500	600	650	750	1000	1200	
外形尺寸 Overall size	长 Length	mm	4350	5400	5500	5900	6800	8000	8400
	宽 Width	mm	2160	2240	2380	2450	2700	3100	3200
	高 Height	mm	2578	2600	2880	3050	3100	3600	4200
底座尺寸 Size of base	长 Length	mm	3850	4960	4960	5720	6400	7500	8000
	宽 Width	mm	1600	1700	1800	2000	2100	2300	2400
燃料耗量 Fuel consumption	天然气 N.G	Nm³/h	303.96	367.8	455.88	607.3	735.3	1193.7	1452
	轻油 Light oil	Kg/h	250.79	326.6	377.46	501.5	633.2	985.1	1258
	城市煤气 C.G	Nm³/h	645.9	824	968.7	1290	1630	2536	3146
锅炉运输重量 Transport weight	kg	10000	12000	15000	18600	23600	34000	41000	

本公司可根据客户订货需求，定制各种供电电源规格产品，适配于世界各国电源。
Wilford could provide customized products with specific power supply in the world.

燃油(气)热水锅炉

Oil (Gas) Hot Water Boiler

[产品介绍]

Product Description

- ◆ CWNS型系列热水炉为三回程全湿背大燃烧室锅壳式锅炉，其主要结构由锅壳、炉胆、转烟室、对流管束等组成，对流烟管采用螺纹烟管，以强化传热；
 - ◆ 大炉胆、高辐射面、三回程设计、燃烧空气充分，受热面利用率高。应用烟管内增设扰流片技术，不仅扩展传热面，而且其对烟尘的“自洁”功能可有效降低热阻，提高传热效果。采用高热阻保温材料，锅炉散热损失降至最低；
 - ◆ 高于90%的热效率。智能化、全自动控制，具有温度自动调节，超温待机。冬天夜间低温防冻等功能，并可实现根据室外温度变化自动调节供热温度功能，以最大限度地节约能源；
 - ◆ 采用进口燃烧器，压力雾化，燃烧完全，噪音低。燃烧强度降低从而使烟尘排放量减少，有害气体NO_x等排放量降低到最低限度，符合严格的环保要求；
 - ◆ 采用承压连接结构，安全可靠，使用寿命长。具有超温、断水、过载、点火失败，异常熄火，燃气锅炉气压，燃气泄露自检等多重连锁保护功能。膨胀水箱直通大气，常压下运行，无安全隐患。
- ◆ CWNS series hot water boiler is three-pass all wet back shell type structure. Main body includes boiler shell, furnace, boiler smoke chamber and convection bank. convection smoke tube is made by threaded pipes, enhance heat transfer.
- ◆ Big furnace, high radiation area, three return design, full air combustion, good usage of heating surface. Smoke tubes add disturb fins inside, increasing heating area, self-clean for dust, improving heat transfer effectiveness. Using high thermal resistance of insulation materials boiler heat minimum losses.
- ◆ More than 90% thermal efficiency. Intelligent, fully automatic control, over-temperature stand by. Anti-freezing in cold winter night, automatic adjust heating supply temperature base on out door temperature, maximum achieve energy saving.

◆ Imported burner, pressure spray, complete burning, low noise. Reduced combustion intensity, decrease dust emissions, output of harmful gases such as NO_x emissions reduced to the minimum, meet serious environmental requirements.

◆ Pressure connecting structure, safe, reliable, long service life. Multiple chain protection and self-test such as over temperature, water shortage, overload, ignition failure, abnormal flameout, gas leakage. Expansion water tank directly connect to atmosphere, no potential safety problems under atmospheric pressure operation.



技术参数 Specifications

型号 Model			CLHS0.06 -85/60-Y.Q	CLHS0.12 -85/60-Y.Q	CLHS0.17 -85/60-Y.Q	CLHS0.23 -85/60-Y.Q	CLHS0.35 -85/60-Y.Q	CLHS0.47 -85/60-Y.Q
项目 Project	单位 Unit							
额定热功率 Rated thermal power	MW		0.06	0.12	1.7	0.23	0.35	0.47
总发热量 Total heating capacity	10 ⁴ kcal		5	10	15	20	30	40
额定工作压力 Rated working pressure	Mpa		常压					
燃料耗量 Fuel consumption	轻柴油 Light diesel oil	kg/h	5.4	10.8	16.2	21.6	32.5	43.2
	天然气 Natural gas	Nm ³ /h	5.8	11.7	17.5	23.4	35	46.8
	液化气 Liquefied gas	Nm ³ /h	2.5	5	7.5	10	15	20
	城市煤气 Pipeline gas	Nm ³ /h	14.2	28.3	42.5	56.6	85	113.2
进水口径 Water inlet diameter	DN		50	65	65	65	65	80
出水口径 Water outlet diameter	DN		50	65	65	65	65	80
排污阀口 Blowoff valve diameter	DN		25	25	25	25	25	40
电压 Voltage	V		220	220	220	220	380	380
外形尺寸 Overall size	长 Length	mm	800	980	1150	1250	1500	1550
	宽 Width	mm	700	850	900	1000	1200	1250
	高 Height	mm	1300	1650	1800	1950	2000	2100
重量 Weight	kg		270	410	450	520	830	980

型号 Model			CLHS0.58 -85/60-Y.Q	CWNS0.7 -85/60-Y.Q	CWNS1.05 -85/60-Y.Q	CWNS1.4 -85/60-Y.Q	CWNS1.75 -85/60-Y.Q	CWNS2.1 -85/60-Y.Q	CWNS2.8 -85/60-Y.Q
项目 Project	单位 Unit								
额定热功率 Rated thermal power	MW		0.58	0.7	1.05	1.4	1.75	2.1	2.8
总发热量 Total heating capacity	10 ⁴ kcal		50	60	90	120	150	180	240
额定工作压力 Rated working pressure	Mpa		常压						
燃料耗量 Fuel consumption	轻柴油 Light diesel oil	kg/h	54	65	97.5	130	162	195	260
	天然气 Natural gas	Nm ³ /h	58.5	70	105	140	175	210	280
	液化气 Liquefied gas	Nm ³ /h	25	30	45	60	75	90	120
	城市煤气 Pipeline gas	Nm ³ /h	141.5	170	255	340	425	610	680
进水口径 Water inlet diameter	DN		100	100	125	150	150	200	200
出水口径 Water outlet diameter	DN		100	100	125	150	150	200	200
排污阀口 Blowoff valve diameter	DN		40	50	50	50	50	65	65
电压 Voltage	V		380	380	380	380	380	380	380
外形尺寸 Overall size	长 Length	mm	1600	3020	3230	3650	4100	4550	5600
	宽 Width	mm	1450	1700	1750	1820	1890	1930	2000
	高 Height	mm	2500	1880	1960	2050	2100	2150	2270
重量 Weight	kg		1500	2450	2780	3500	3860	4520	6300

本公司可根据客户订货需求，定制各种供电电源规格产品，适配于世界各国电源。
Wilford could provide customized products with specific power supply in the world.

- ◆ 拱型管板、螺纹烟管、热锅锅炉回水引射等技术，解决了锅壳式锅炉的管板裂纹、锅筒下部鼓包、水冷壁爆管、热效率低、出力不足，煤种适应性差等问题；
- ◆ 燃料自煤斗落在炉排前部，随着炉排运转，煤经过预热干留、着火、燃烬，炉渣落入渣斗，由除渣机随时排出炉外。炉拱采用人字形拱，改善着火条件，烟气在前、后拱间的喉部形成涡流与空气充分混合。燃烧，然后进入两翼烟道，通过前烟箱进入螺纹烟管，经过铸铁煤器（热水锅炉不设铸铁省煤器）除尘器，由引风机至烟囱排出；
- ◆ 锅炉水循环为上进上出自然循环加引射，炉膛左右侧水冷壁为辐射受热面，炉膛两翼为对流受热面，锅筒内布置螺纹烟管对流受热面，炉膛用隔烟墙隔开分成前面为燃烧室后面为燃烬室，锅炉主机外侧为立体形护板外壳。
- ◆ The boiler adopts the latest research results, such as: arched tube plate, screw thread smoke tube, hot water boiler backwater ejection technology, solves the problems of pot type boiler tube plate crack at the lower part of the drum, drum kits, water wall tube broken, low thermal efficiency, low output, poor adaptability of coal.
- ◆ Combustion: fuel from coal scuttle fall in front of the stove grate, during operation, after coal preheating and dry distillation, ignition, combustion, the slag drop into the slag bucket, then been removed out furnace by slagging machine at any time. Furnace arch uses herringbone arch, improving the conditions of ignition. Flue gas forms vortex between the throat of the front, rear arch mixed with air. After combustion, flue gas enters the two wings flue, through the front smoke box into the thread smoke tube, then go through cast iron economizer(hot water boiler no need) dust collector, finally discharged by lead fan to chimney.
- ◆ Boiler water circulation progresses on natural circulation and ejection. The radiation heating surface is left and right side cold water wall. The two wings of boiler furnace are main convection heating surface. The thread smoke tube in boiler furnace are convection heating surface. The boiler furnace is seperated by fold smoke wall–firebox and reburning chamber. Boiler main body is covered by three–dimensional shape plate shell.



DZL/SZL系列燃煤/生物质快装蒸汽锅炉主要技术参数

The main technical parameters of DZL/SZL series coal/biomass fired steam boiler

型号 Model		DZL1 -1.0-M	DZL2 -1.0-M	DZL3 -1.25-M	DZL4 -1.25-M	DZL6 -1.25-M	DZL8 -1.25-M	DZL10 -1.25-M
参数名称 The parameter name	单位 Unit							
额定蒸发量 Rated evaporation	t/h	1	2	3	4	6	8	10
额定蒸汽压力 The rated steam pressure	Mpa	0.7、1.0、1.25、1.6、2.5						
额定蒸汽温度 The rated steam temperature	°C	170、184、194、203、226						
给水温度 Feed temperature	°C	20、60、105						
适用燃料 Avaible fuel		II类烟煤 (A II)						
设计热效率 Design thermal efficiency	%	80.2	80.1	80.3	80.6	80.3	80.5	80.6
燃料耗量 The fuel consumption	Kg/h	181	378.4	493	729	1089	1509	1750
最大件运输外形尺寸 The transport dimension L*W*H	mm	5200*2100*3000	5525*2440*3400	6300*2650*3400	6081*2575*3400	8000*2900*3550	7526*3340*4300	8980*3200*3550
锅炉安装结构型式 Boiler installation structure		快装 The fast			组装 The assembly			

DZL/SZL系列燃煤/生物质快装热水锅炉主要技术参数

The main technical parameters of DZL /SZLseries coal/biomass fired hot water boiler

型号 Model		DZL0.7 -95/70-M	DZL1.4 -95/70-M	DZL2.8 -95/70-M	DZL4.2 -95/70-M	DZL5.6 -95/70-M	DZL7 -95/70-M
参数名称 The parameter name	单位 Unit						
额定热功率 Rated thermal power	MW	0.7(60万大卡/h) 0.7(600000 kcal/h)	1.4(120万大卡/h) 1.4(1.2 million kcal/h)	2.8(240万大卡/h) 2.8(2.4 million kcal/h)	4.2(360万大卡/h) 4.2(3.6 million kcal/h)	5.6(480万大卡/h) 5.6(4.8 million kcal/h)	7(600万大卡/h) 7(6million kcal/h)
额定蒸汽压力 The rated steam pressure	Mpa	0.7、1.0、1.25、1.6					
出水温度/回水温度 The water temperature/return water temperature	°C	95/70、115/70、130/70					
适用燃料 Avaible fuel		II类烟煤 (A II)					
设计热效率 Design thermal efficiency	%	80.2	80.8	80	82.3	80.3	80.8
燃料耗量 The fuel consumption	Kg/h	129	351.3	693	1041.9	1089	1707.8
最大件运输外形尺寸 The transport dimension L*W*H	mm	5200*2100*3000	5525*2440*3400	6081*2450*3500	8000*2700*3550	8000*2900*3550	8980*3200*3600
锅炉安装结构型式 Boiler installation structure		快装 The fast			组装 The assembly		

本公司可根据客户订货需求，定制各种供电电源规格产品，适配于世界各国电源。
Wilford could provide customized products with specific power supply in the world.

燃油 (气) 导热油炉

YYQW Oil (gas) Heating-conduction Boiler

产品介绍 Product Description

YY(Q)W为快装式强制循环燃油(气)锅炉,锅炉受热面积结构紧凑,受热面由内、中、外(或内、外)密排的圆盘管构成,内盘管为辐射受热面,中、外盘管与内盘管的外表面构成对流受热面。燃料在内盘管组成的燃烧室内燃烧放热,经辐射受热面吸收大部分热量后,高温烟气进入对流受热面并进行换热。最后低温烟气由锅炉烟气出口直接排至烟囱并排入大气。

- ◆ 热效率高,具有独特的构造,可保持总体热效率在100%以上;
- ◆ 控温精确,导热油出口温度可控制在 $\pm 1^{\circ}\text{C}$ 范围内。在0.8MPa的低运行压力下,可获得 320°C 的工作温度;
- ◆ 前盖板设置有大口径惰性气体连接口,保证惰性气体15分钟内充满炉膛3倍体积,以便紧急情况下保护炉膛,提高设备使用寿命;
- ◆ 锅炉采用整体、模块化撬装,节省运输费用、安装费用;
- ◆ 锅炉全自动智能控制,杜绝误操作,核心采用可编程控制器,动态人机界面交互,实时监控、连锁保护。

YY(Q)W oil (gas) heating-conduction boiler makes heat carrier circulation through hot oil pump. It is fast mounted forced circulation oil (gas) fuel boiler. The heating surface structure is compact. Inside/middle/outside (or inside and outside) closely-aligned round coils constitute the heating surface. Inside coil is radiation heating surface. Middle/outside coils as well as inside coils together form convection heating surface. Fuel burns in inside coils' combustion chamber-combustion and heat release. After radiation heating surface absorbs most heat, high temperature flue gas enters the convection heating surface to transfer heat. Finally low temperature flue gas exports directly through chimney to atmosphere.

- ◆ High heat efficiency ,special structure, could keep total heat efficiency up to 100%.
- ◆ The control of the oil temperature will be concise within the range from -1°C to $+1^{\circ}\text{C}$. Under low working pressure of 0.8Mpa, boiler could achieve working temperature of 320°C .
- ◆ There's a connection for the inert gas on the front cover and it could fill 3 times of the capacity of the furnace with inert gas within 15 minutes in case of emergency to protect it and thus extend the life time.
- ◆ Fully shop-assembled, save transportation cost and installation fees.
- ◆ The boiler operates automatically and will get rid of misconduct. With PLC programmed controller, the percentage will be adjusted automatically and the monitor will be real time, together with the chaining protection.



技术参数 Specifications

参数名称 Description	单位 Unit	YY(Q)W-600 -Y.Q	YY(Q)W-850 -Y.Q	YY(Q)W-1200 -Y.Q	YY(Q)W-1400 -Y.Q	
额定热功率 Rated thermal power	KW/10 ⁴ kcal	600/50	850/75	1200/100	1400/125	
热效率 Heating efficiency ($\geq\%$)	%	90	90	90	92	
设计压力 Design pressure	Mpa	1	1	1	1	
介质最高温度 Medium highest temperature	$^{\circ}\text{C}$	350	350	350	350	
炉内介质容量 Medium capacity of boiler	m^3	0.4	0.52	0.76	0.95	
介质循环量 Medium circulation volume	m^3/h	80	80	100	100	
配管连接口径DN of oil outlet	DN	100	100	125	125	
系统装机容量 Whole system installed capacity	油 Oil	KW	30	40	40	45
	气 Gas	KW	30	40	40	45
设备总重 Total weight of equipment	Kg	3530	4500	5600	6200	
外形尺寸 External dimension	长Length	mm	3650	4100	5500	5700
	宽Width	mm	1500	1700	2100	2100
	高Height	mm	1870	2100	2100	2400
运输尺寸 Transport dimension	长Length	mm	3250	3800	4600	4850
	宽Width	mm	1500	1700	2100	2100
	高Height	mm	1870	2100	2400	2400

参数名称 Description	单位 Unit	YY(Q)W-1800 -Y.Q	YY(Q)W-2400 -Y.Q	YY(Q)W-3500 -Y.Q	YY(Q)W-4100 -Y.Q	YY(Q)W-6000 -Y.Q	
额定热功率 Rated thermal power	KW/10 ⁴ kcal	1800/150	2400/200	3500/300	4100/350	6000/500	
热效率 Heating efficiency ($\geq\%$)	%	92	92	92	92	92	
设计压力 Design pressure	Mpa	1	1	1.1	1.1	1.1	
介质最高温度 Medium highest temperature	$^{\circ}\text{C}$	350	350	350	350	350	
炉内介质容量 Medium capacity of boiler	m^3	1.48	2.1	2.4	2.53	6.1	
介质循环量 Medium circulation volume	m^3/h	160	200	200	200	300	
配管连接口径DN of oil outlet	DN	150	200	200	200	250	
系统装机容量 Whole system installed capacity	油 Oil	KW	50	70	70	150	
	气 Gas	KW	50	70	70	150	
设备总重 Total weight of equipment	Kg	9500	10500	13500	16065	28850	
外形尺寸 External dimension	长Length	mm	5900	6500	8000	8200	9000
	宽Width	mm	2100	2300	2400	2500	3200
	高Height	mm	2550	2750	2900	3000	3600
运输尺寸 Transport dimension	长Length	mm	5100	5800	6800	7200	7800
	宽Width	mm	2100	2300	2400	2500	3200
	高Height	mm	2550	2750	2900	3000	3600

本公司可根据客户订货需求,定制各种供电电源规格产品,适配于世界各国电源。
Wilford could provide customized products with specific power supply in the world.

燃油 (气) 真空热水锅炉

Oil (gas) Vacuum Hot Water Boiler

[产品介绍]

Product Description

- ◆ 真空锅炉在真空负压状态下运行，是真正不会爆炸的锅炉，安全性极佳；
 - ◆ 真空状态下运行，沸点低，汽化潜热（凝结潜热）换热，有效地提高了热效率；
 - ◆ 炉体内储有恒量的热媒水，没有干烧危险，无腐蚀，不结垢，使用寿命长；
 - ◆ 内置特殊处理的不锈钢或铜质换热器，换热效果优，升温快；
 - ◆ 在锅炉本体内进行热交换，效率高。整体设计科学、合理紧凑；
 - ◆ 用户无须按锅炉压力容器标准年检、报批，节约费用；
 - ◆ 控制部分触摸屏显示、虚拟按键、中文及图形显示系统工况、在线操作指南、故障自诊断；
 - ◆ 全自动运行和加手动操作可一用一备，实现人机对话。
- ◆ Vacuum boiler is running under vacuum and negative pressure, it is the boiler which will never explode, very safe.
 - ◆ Running under vacuum state with low boiling point, latent heat of vaporization heat exchange, effectively improved the heating efficiency.
 - ◆ There is constant amount of hot media water inside the furnace, no hazard of dry combustion, without corrosion, no dirt, with long lifetime.
 - ◆ Built-in special processed stainless steel or copper heat exchanger, good heat exchanging, fast temperature rising.
 - ◆ Heat exchanging effected inside the boiler body, high efficiency. Overall design is scientific, reasonable and compact, saving space.
 - ◆ users no need annual inspection or report for approval according the pressure containers standard, saving cost.
 - ◆ Touch-up screen showing in the controlling part, virtual keys, Chinese and graphical displaying the working status, online operation instructions, self diagnosing on the malfunction.
 - ◆ Fully automatic running and manual operation could be alternative, realizing human and machine conversation.



技术参数 Specifications

型号 Model		ZKW0.35 -75/50-Y.Q	ZKW0.48 -75/50-Y.Q	ZKW0.6 -75/50-Y.Q	ZKW0.7 -75/50-Y.Q	ZKW1.05 -75/50-Y.Q	ZKW1.4 -75/50-Y.Q	
项目 Project	单位 Unit							
额定热功率 Rated thermal power	MW	0.35	0.48	0.6	0.7	1.05	1.4	
额定工作压力 Rated working pressure	MPa	-0.03						
出水温度/回水温度 The water temperature/return water temperature	℃	75/50						
设计热效率 Design thermal efficiency	%	92.95	92.95	92.35	91.65	91.8	92.42	
水容量 Water capacity	L	1520	1750	2200	2800	3700	4300	
出水口 Water outlet	mm	50	65	65	65	80	65*2	
进水口 Feed water inlet	mm	50	65	65	65	80	65*2	
排污阀 Drain valve	mm	40	40	40	40	40	40	
烟囱直径 Chimney	mm	219	219	280	280	330	330	
外形尺寸 Overall size	长 Length	mm	3075	3475	3580	3605	3805	3905
	宽 Width	mm	1450	1450	1580	1700	1700	1850
	高 Height	mm	1800	1800	1900	2062	2062	2352
底座尺寸 Size of base	长 Length	mm	900	900	1000	1100	1300	1200
	宽 Width	mm	2500	2900	2900	2900	2950	3200
燃料耗量 Fuel consumption	天然气 N.G	Nm³/h	31.56	43.22	54	64.39	96.5	127.5
	轻油 Light oil	KG/h	38.24	52.34	61.2	77.98	117.2	157.5
	城市煤气 C.G	Nm³/h	81.26	111.2	138	165.7	249.04	334.7
锅炉运输重量 Transport weight	Kg	2400	2800	3200	3500	4800	6100	

型号 Model		ZKW1.75 -75/50-Y.Q	ZKW2.1 -75/50-Y.Q	ZKW2.8 -75/50-Y.Q	ZKW3.5 -75/50-Y.Q	ZKW4.2 -75/50-Y.Q	ZKW5.6 -75/50-Y.Q	ZKW7 -75/50-Y.Q	
项目 Project	单位 Unit								
额定热功率 Rated thermal power	MW	1.75	2.1	2.8	3.5	4.2	5.6	7	
额定工作压力 Rated working pressure	MPa	-0.03							
出水温度/回水温度 The water temperature/return water temperature	℃	75/50							
设计热效率 Design thermal efficiency	%	93.12	93.7	94.2	91.65	92.63	92.8	93.23	
水容量 Water capacity	L	4800	5200	5200	7200	9800	15300	16600	
出水口 Water outlet	mm	80*2	80*2	150*2	125*2	125*2	125*2	125*2	
进水口 Feed water inlet	mm	80*2	80*2	150*2	125*2	125*2	125*2	125*2	
排污阀 Drain valve	mm	40	40	40	40	40	40	40	
烟囱直径 Chimney	mm	350	400	450	500	600	650	750	
外形尺寸 Overall size	长 Length	mm	4300	4440	4800	5200	5755	6415	6815
	宽 Width	mm	1880	1920	2000	2220	2300	2750	2750
	高 Height	mm	2360	2340	2570	2800	2880	3270	3270
底座尺寸 Size of base	长 Length	mm	1300	1400	1500	1600	1600	2200	2200
	宽 Width	mm	3400	3600	3900	4300	5000	5600	6000
燃料耗量 Fuel consumption	天然气 N.G	Nm³/h	161.8	190.8	258.6	320.6	380.3	505.2	629.8
	轻油 Light oil	KG/h	183.8	230.7	311.8	388.4	460.6	611.8	762.7
	城市煤气 C.G	Nm³/h	416.7	490.23	662.5	825.35	978.8	1300	1620
锅炉运输重量 Transport weight	Kg	7000	8600	11000	13000	15600	17000	18500	

本公司可根据客户订货需求，定制各种供电电源规格产品，适配于世界各国电源。
Wilford could provide customized products with specific power supply in the world.

[客户案例] Customer Case



